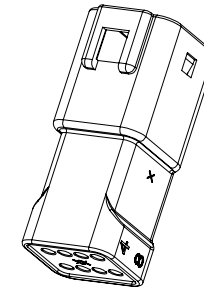


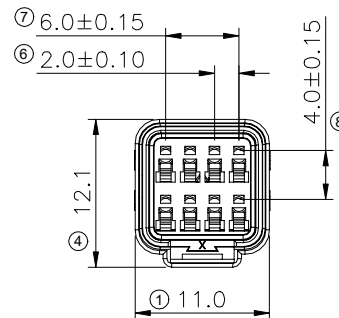
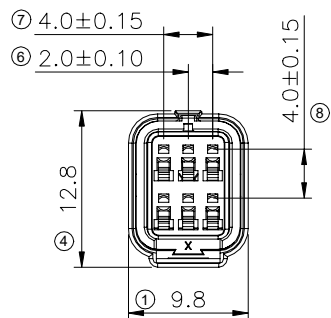
RoHS

This products can apply to the SESO Doc NO. QA-3-04-005 of Environmental&Material Management Rules



2039AF-2x03-PTNC

2039AF-2x04-PTNC

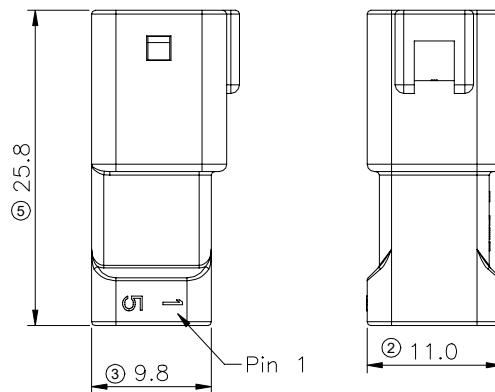
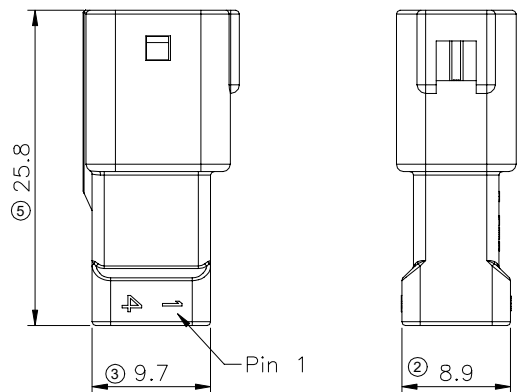


■ Specifications :

- Voltage rating: 100V Max. AC / DC
- Withstanding voltage: 1000V AC/minute
- Temperature range: -40°C~+105°C
- Insulation resistance: >800MΩ/500V DC/Minute
- Mates With SESO Housing: 2039AM
- Mates With SESO Terminal:2039TM-PY2B
- Product Specification: PS-2039-01
- Packaging: see SESO drawing PK-2039AF-2xXX-PTNC
- Symbols for SPC dimensions: "★"
- Waterproof grade:IPX7

2039 A F-2xXX -PT NC
① ② ③ ④ ⑤ ⑥

- ① Series No.
- ② Category: A-Housing Product
- ③ Connector Type:F-Female
- ④ Row No.-Pin No: 2x03~2x04Pin
- ⑤ Plastic material: PT- PBT(UL 94 V-0)
- ⑥ Color: NC-Natural color

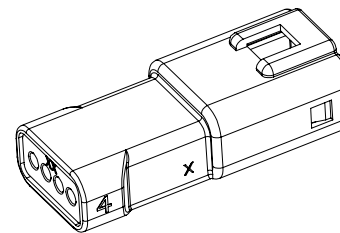


					<p>GENERAL TOLERANCE</p> <p>.X ±0.35</p> <p>.XX ±0.25</p> <p>.XXX ±0.15</p> <p>X.° ±2°</p>				<p>SMS 东莞市思索技术股份有限公司 Dongguan SESO Technology Co.,Ltd.</p>				<p>PART NO. 2039AF-2*XX-PTNC</p>																																																													
					<p>PROJECT</p> <p>APPROVAL</p>				<p>CHECK</p>				<p>DRAWN</p>				<p>DATE</p>				<p>TITLE 2.0Pitch Type Housing Waterproof</p>																																																					
20230328					X0					/					Initial release					Wangcheng					Larry Yang					APPROVAL					CHECK					DRAWN					DATE					UNIT					SCALE					SHEET					REV					NUMBER				
DATE					REV					ECN NO.					DESCRIPTION					MODIFY					APPROVAL					Jack Zhang					Larry Yang					Wangcheng					2023/03/28					mm					1:1					1/1					X0					CD				

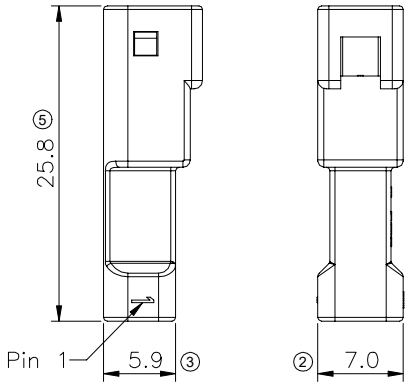
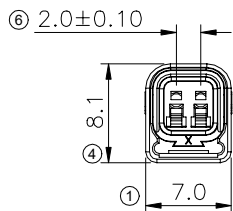
1 2 3 4 5 6 7 8

RoHS

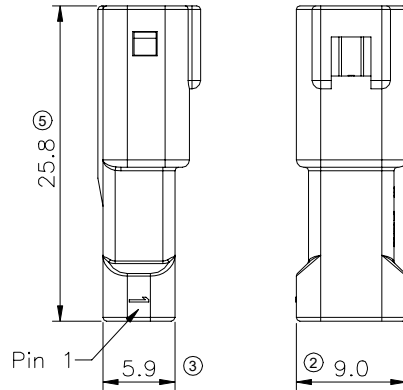
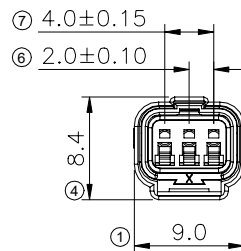
This products can apply to the SESO Doc NO. QA-3-04-005 of Environmental&Material Management Rules



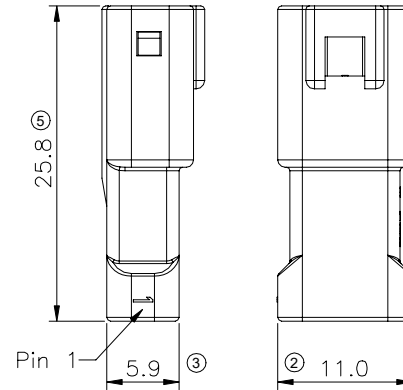
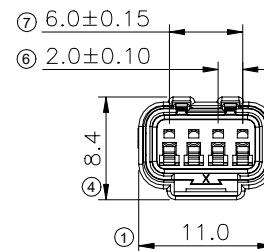
2039AF-02-PTNC



2039AF-03-PTNC



2039AF-04-PTNC



■ Specifications :

- Voltage rating: 100V Max. AC / DC
- Withstanding voltage: 1000V AC/minute
- Temperature range: -40°C~+105°C
- Insulation resistance: >800MΩ/500V DC/Minute
- Mates With SESO Housing: 2039AM
- Mates With SESO Terminal:2039TM-PY2B
- Product Specification: PS-2039-01
- Packaging: see SESO drawing PK-2039AF-XX-PTNC
- Symbols for SPC dimensions: "★"
- Waterproof grade:IPX7

2039 A F-XX -PT NC
① ② ③ ④ ⑤ ⑥

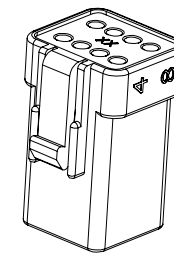
- ① Series No.
- ② Category: A-Housing Product
- ③ Connector Type:F-Female
- ④ Row No.-Pin No: 02~04Pin
- ⑤ Plastic material: PT- PBT(UL 94 V-0)
- ⑥ Color: NC-Natural color

					<p>GENERAL TOLERANCE</p> <p>.X ±0.35</p> <p>.XX ±0.25</p> <p>.XXX ±0.15</p> <p>X.° ±2°</p>				<p>SMS 东莞市思索技术股份有限公司 Dongguan SESO Technology Co.,Ltd.</p>				<p>PART NO. 2039AF-XX-PTNC</p>																																									
					<p>PROJECT</p> <p>APPROVAL</p>				<p>CHECK</p>				<p>DRAWN</p>				<p>DATE</p>				<p>TITLE 2.0Pitch Type Housing Waterproof</p>																																	
20230328					X0					/					Initial release					Wangcheng					Larry Yang					<p>UNIT</p> <p>mm</p>					<p>SCALE</p> <p>1:1</p>					<p>SHEET</p> <p>1/1</p>					<p>REV</p> <p>X0</p>					<p>NUMBER</p> <p>CD</p>				
DATE					REV					ECN NO.					DESCRIPTION					MODIFY					APPROVAL					Jack Zhang					Larry Yang					Wangcheng					2023/03/28									

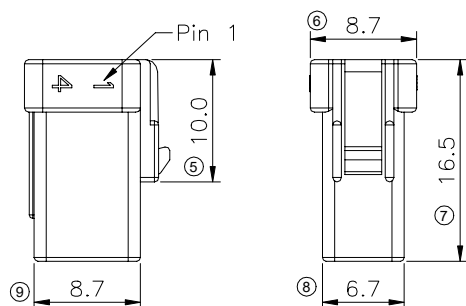
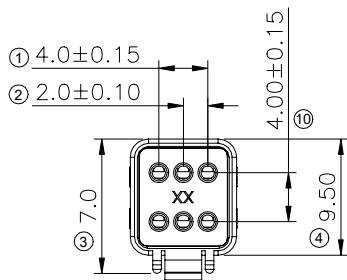
1 2 3 4 5 6 7 8

RoHS

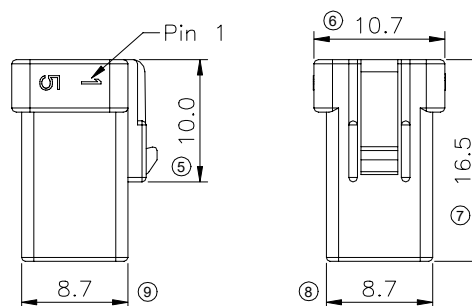
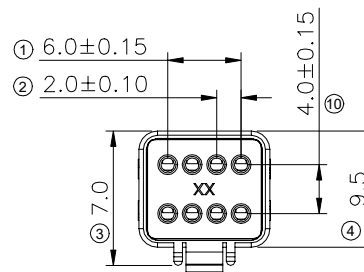
This products can apply to the SESO Doc NO. QA-3-04-005 of Environmental&Material Management Rules



2039AM-2*03-PTNC



2039AM-2*04-PTNC



Specifications :

- Voltage rating: 100V Max. AC / DC
- Withstanding voltage: 1000V AC/minute
- Temperature range: -40°C~+105°C
- Insulation resistance: ≥800MΩ/500V DC/Minute
- Mates With SESO Housing: 2039AF
- Mates With SESO Terminal:2039TF-HY2B
- Product Specification: PS-2039-01
- Packaging: see SESO drawing PK-2039AM-2xXX-PTNC
- Symbols for SPC dimensions: "★"
- Waterproof grade:IPX7

2039 A M-2xXX -PT NC
① ② ③ ④ ⑤ ⑥

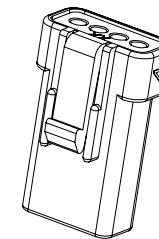
- ① Series No.
- ② Category: A-Housing Product
- ③ Connector Type:M-Male
- ④ Row No.-Pin No: 2x03~2x04Pin
- ⑤ Plastic material: PT- PBT(UL 94 V-0)
- ⑥ Color: NC-Natural color

					GENERAL TOLERANCE				PART NO.									
					.X ±0.35				2039AM-2*XX-PTNC									
					.XX ±0.25				TITLE									
					.XXX±0.15				2.0Pitch Type Housing Waterproof									
					X.' ±2'				APPROVAL		CHECK		DRAWN		DATE			
20230328	X0	/	Initial release	Wangcheng	Larry Yang	Jack Zhang		Larry Yang		Wangcheng		2023/03/28		UNIT	SCALE	SHEET	REV	NUMBER
DATE	REV	ECN NO.	DESCRIPTION	MODIFY	APPROVAL									mm	1:1	1/1	X0	CD

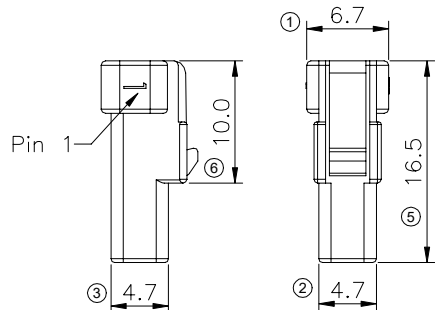
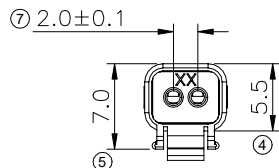
SMS 东莞市思索技术股份有限公司
Dongguan SESO Technology Co.,Ltd.

RoHS

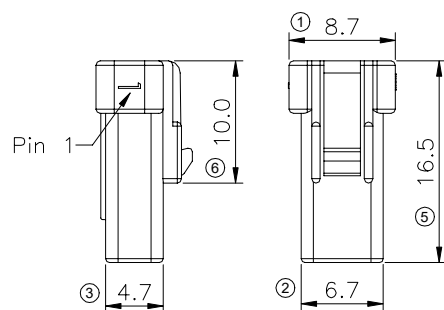
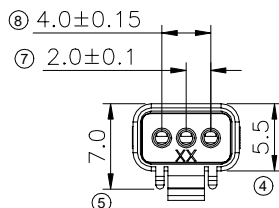
This products can apply to the SESO Doc NO. QA-3-04-005 of Environmental&Material Management Rules



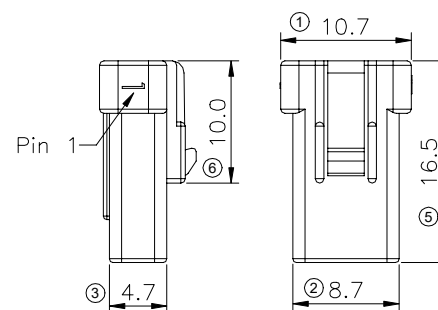
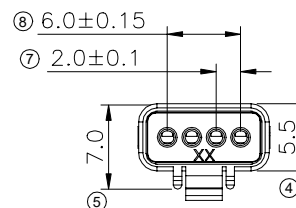
2039AM-02-PTNC



2039AM-03-PTNC



2039AM-04-PTNC



Specifications :

- Voltage rating: 100V Max. AC / DC
- Withstanding voltage: 1000V AC/minute
- Temperature range: -40°C~+85°C
- Insulation resistance: >800MΩ/500V DC/Minute
- Mates With SESO Housing: 2039AF
- Mates With SESO Terminal:2039TF-HY2B
- Product Specification: PS-2039-01
- Packaging: see SESO drawing PK-2039AM-XX-PTNC
- Symbols for SPC dimensions: "★"
- Waterproof grade:IPX7

2039 A M-XX -PT XX
① ② ③ ④ ⑤ ⑥

- ① Series No.
- ② Category: A-Housing Product
- ③ Connector Type:M-Male
- ④ Row No.-Pin No: 02~04Pin
- ⑤ Plastic material: PT- PBT(UL 94 V-0)
- ⑥ Color: NC-Natural color

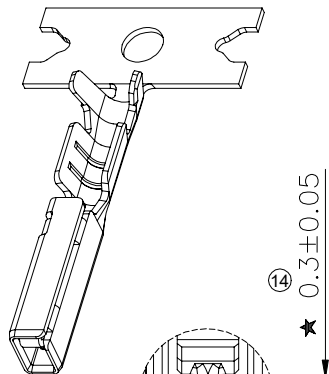
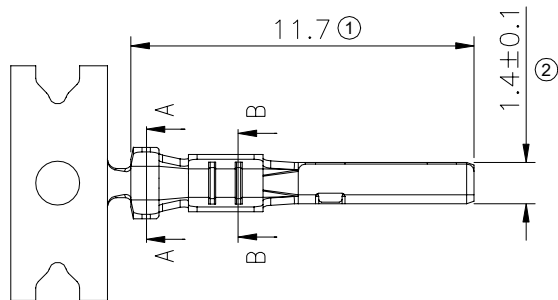
					GENERAL TOLERANCE				PART NO.									
					.X ±0.35				2039AM-XX-PTNC									
					.XX ±0.25				TITLE									
					.XXX±0.15				2.0Pitch Type Housing Waterproof									
					X.' ±2'				APPROVAL		CHECK		DRAWN		DATE			
20230328	X0	/	Initial release	Wangcheng	Larry Yang	Jack Zhang		Larry Yang		Wangcheng		2023/03/28		UNIT	SCALE	SHEET	REV	NUMBER
DATE	REV	ECN NO.	DESCRIPTION	MODIFY	APPROVAL									mm	1:1	1/1	X0	CD

SMS 东莞市思索技术股份有限公司
Dongguan SESO Technology Co.,Ltd.

1 2 3 4 5 6 7 8

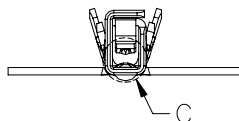
RoHS

This products can apply to the SESO Doc NO. QA-3-04-005 of Environmental&Material Management Rules



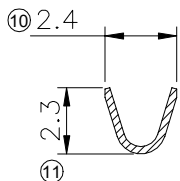
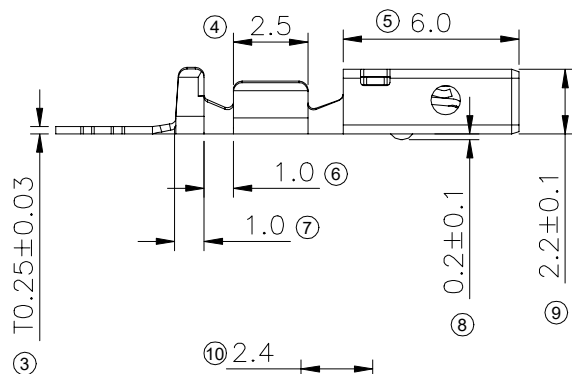
Enlargement of C

⑭ 0.3±0.05

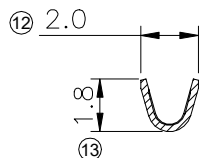


■ Specifications :

- Current rating: 3A Max.AC / DC(0.35mm² Wire)
- Temperature range: -40°C~+85°C
- Contact resistance: <10mΩ (Initial)
- <20mΩ (After Testing)
- Material(Pin): Copper alloy
- Mates With SESO Housing: 2039AM
- Mates With SESO Terminal:2039TM-PY2B
- Product Specification: PS-2039-01
- Packaging: see SESO drawing PK-2039TF-HY2B
- Symbols for SPC dimensions: " ★ "



SECTION: A-A
SCALE: 1:1



SECTION: B-B
SCALE: 1:1

2039 I F-H Y2 B
① ② ③ ④ ⑤ ⑥

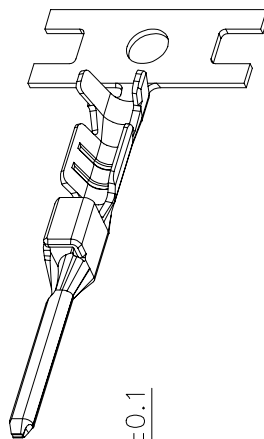
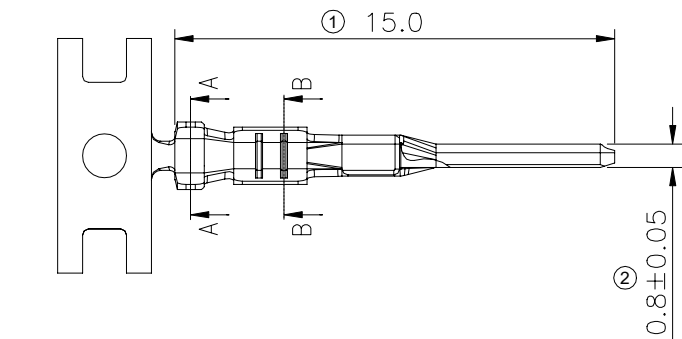
- ① Series No.
- ② Category:T-terminal
- ③ Connector Type: F-Female terminal
- ④ Material: H-Copper alloy
- ⑤ Plating code: Y2-40~120u"(1~3um) TIN
- ⑥ Plating process:B-Stamping after Plating

						<p>GENERAL TOLERANCE</p> <p>.X ±0.35</p> <p>.XX ±0.25</p> <p>.XXX±0.15</p> <p>X.' ±2'</p>				<p>PART NO.</p> <p>2039TF-HY2B</p>				
						<p>APPROVAL</p> <p>CHECK</p> <p>DRAWN</p> <p>DATE</p>				<p>TITLE</p> <p>2.0mm Crimp Type Terminal</p>				
20230328	X0	/	Initial release	Wangcheng	Larry Yang	Jack Zhang	Larry Yang	Wangcheng	2023/03/28	UNIT	SCALE	SHEET	REV	NUMBER
DATE	REV	ECN NO.	DESCRIPTION	MODIFY	APPROVAL					mm	1:1	1/1	X0	CD

SMS 东莞市思索技术股份有限公司
Dongguan SESO Technology Co.,Ltd.

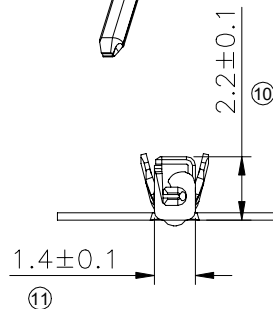
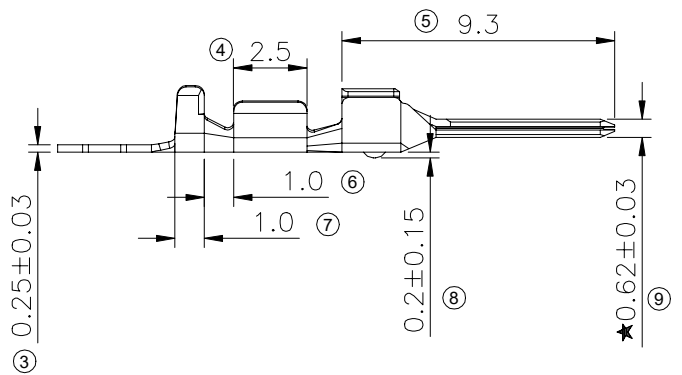
RoHS

This products can apply to the SESO Doc NO. QA-3-04-005 of Environmental&Material Management Rules



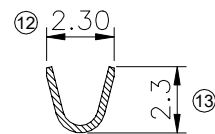
■ Specifications :

- Current rating: 3A Max.AC / DC(0.35mm² Wire)
- Temperature range: -40°C~+105°C
- Contact resistance: <10mΩ (Initial)
- <20mΩ (After Testing)
- Material(Pin): Phosphor copper
- Mates With SESO Housing: 2039AF
- Mates With SESO Terminal:2039TF-HY2B
- Product Specification: PS-2039-01
- Packaging: see SESO drawing PK-2039TM-PY2B
- Symbols for SPC dimensions: " ★ "

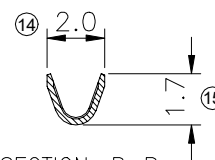


2039 I M-P Y2 B
① ② ③ ④ ⑤ ⑥

- ① Series No.
- ② Category:T-terminal
- ③ Connector Type: M-Male terminal
- ④ Material: P-Phosphor copper
- ⑤ Plating code: Y2-40~120u"(1~3um) TIN
- ⑥ Plating process:B-Stamping after Plating



SECTION: A-A
SCALE: 1:1



SECTION: B-B
SCALE: 1:1

					<p>GENERAL TOLERANCE</p> <p>.X ±0.35</p> <p>.XX ±0.25</p> <p>.XXX ±0.15</p> <p>X.° ±2°</p>				<p>SMS 东莞市思索技术股份有限公司 Dongguan SESO Technology Co.,Ltd.</p>				<p>PART NO. 2039TM-PY2B</p>								
					<p>PROJECT</p> <p>Jack Zhang</p>				<p>APPROVAL</p> <p>Larry Yang</p>				<p>DATE</p> <p>2023/03/28</p>				<p>TITLE 2.0mm Crimp Type Terminal</p>				
20230328	X0	/	Initial release	Wangcheng	Larry Yang	Jack Zhang	Larry Yang	Wangcheng	2023/03/28	UNIT	SCALE	SHEET	REV	NUMBER							
DATE	REV	ECN NO.	DESCRIPTION	MODIFY	APPROVAL	Jack Zhang	Larry Yang	Wangcheng	2023/03/28	mm	1:1	1/1	X0	CD							

1 2 3 4 5 6 7 8