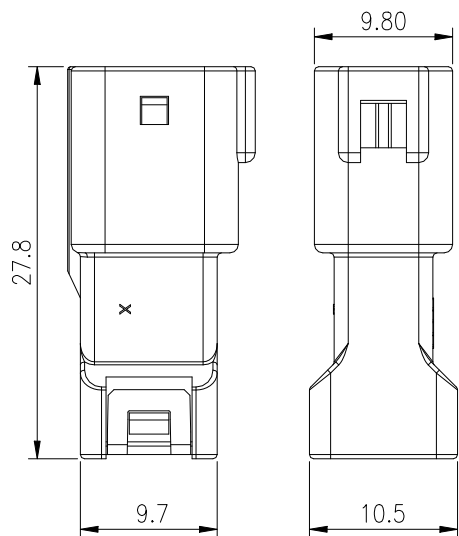
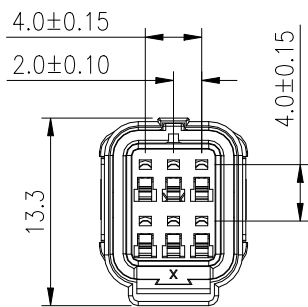


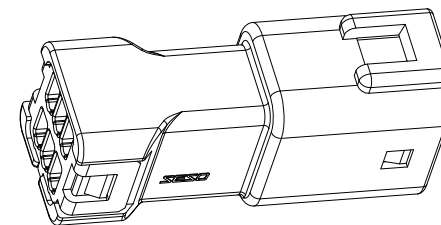
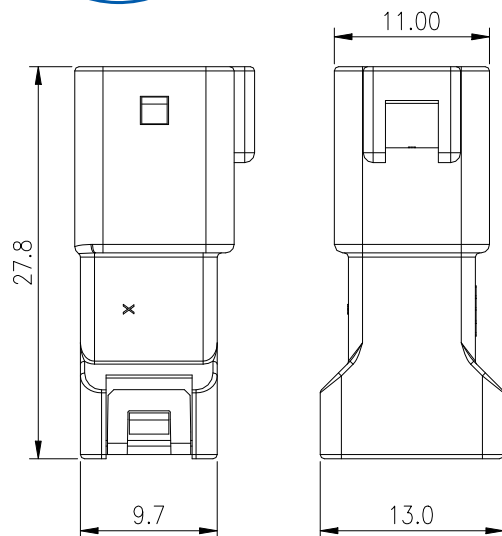
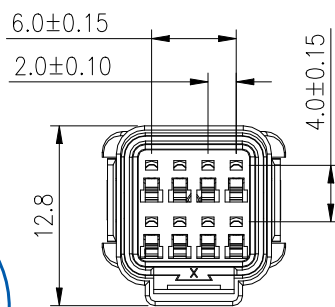
RoHS

This products can apply to the SESO Doc NO. QA-3-04-005 of Environmental&Material Management Rules

2039AF-2x03B-PTXX



2039AF-2x04B-PTXX



Specifications :

- Voltage rating: 100V Max. AC / DC
- Withstanding voltage: 1000V AC/minute
- Temperature range: -40°C~+105°C
- Insulation resistance: >100MΩ/500V DC/Minute
- Mates With SESO Housing: 2039AM-2xXXB
- Mates With SESO Terminal:2039TM-PXXX
- Product Specification: PS-2039-01
- Packaging: see SESO drawing PK-2039AF-2xXXB-PTXX
- Symbols for SPC dimensions: "★"
- Waterproof grade:IPX7

2039 A F-2xXX B -PT XX  
① ② ③ ④ ⑤ ⑥ ⑦

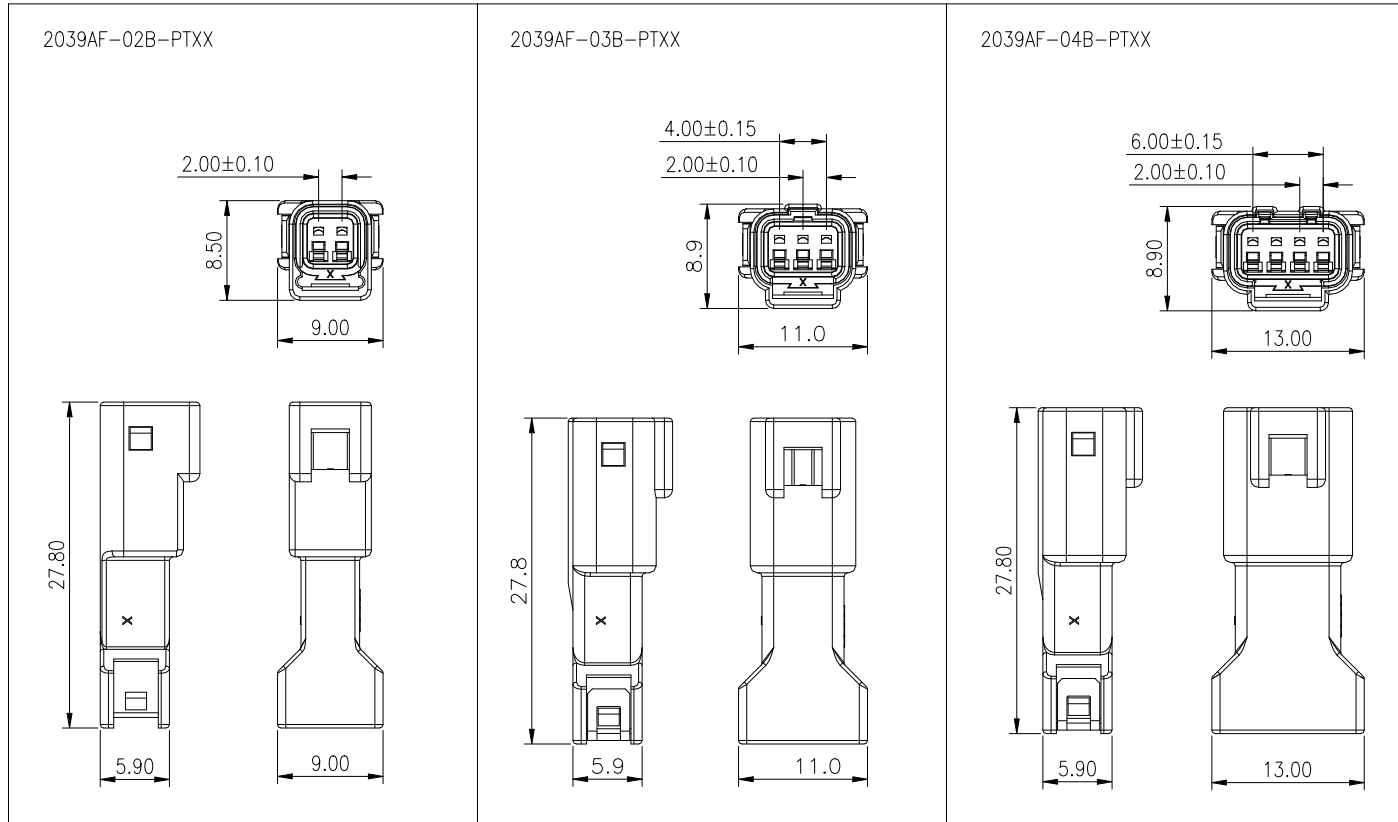
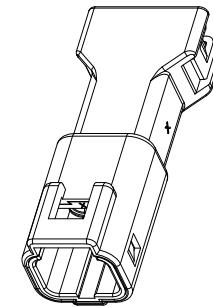
- ① Series No.
- ② Category: A-Housing Product
- ③ Connector Type:F-Female
- ④ Row No.-Pin No: 2\*03~2\*04Pin
- ⑤ Special NO.: B-With a card slot
- ⑥ Plastic material: PT- PBT+GF15%(UL 94 V-0)
- ⑦ Color: NC-Natural color  
BK-Black BL-Blue OG-Orange

						GENERAL TOLERANCE				PART NO.							
						.X ±0.35				2039AF-2xXXB-PTXX							
						.XX ±0.25				TITLE							
						.XXX±0.15				2.0Pitch Type Housing Waterproof							
20230915						A0				/				Initial release			
DATE						REV				ECN NO.				DESCRIPTION			
1						2				3				4			
Wangcheng						Larry Yang				APPROVAL				CHECK			
MODIFY						APPROVAL				DRAWN				DATE			
PROJECT						PROJECT				Jack Zhang				Larry Yang			
PROJECT						PROJECT				Wangcheng				2023/09/15			
UNIT						SCALE				SHEET				REV			
mm						1:1				1/1				A0			
NUMBER						NUMBER				NUMBER				NUMBER			
1						2				3				4			
5						6				7				8			

**SMS** 东莞市思索技术股份有限公司  
Dongguan SESO Technology Co.,Ltd.

RoHS

This products can apply to the SESO Doc NO. QA-3-04-005 of Environmental&Material Management Rules



Specifications :

- Voltage rating: 100V Max. AC / DC
- Withstanding voltage: 1000V AC/minute
- Temperature range: -40°C~+105°C
- Insulation resistance: >100MΩ/500V DC/Minute
- Mates With SESO Housing: 2039AM-XXB
- Mates With SESO Terminal:2039TM-PXXX
- Product Specification: PS-2039-01
- Packaging: see SESO drawing PK-2039AF-XXB-PTXX
- Symbols for SPC dimensions: "★"
- Waterproof grade:IPX7

2039 A F-XX B -PT XX  
① ② ③ ④ ⑤ ⑥ ⑦

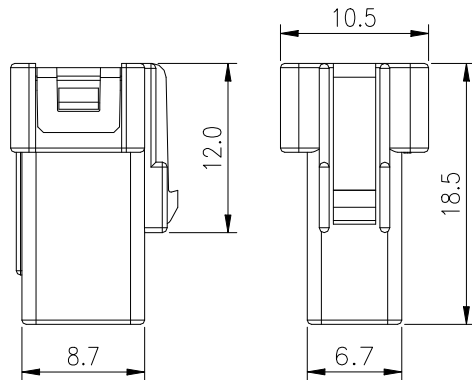
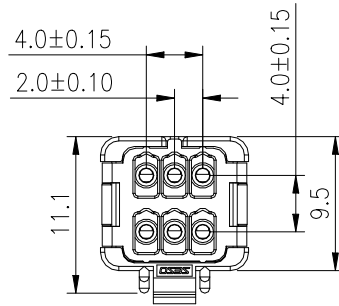
- ① Series No.
- ② Category: A-Housing Product
- ③ Connector Type:F-Female
- ④ Row No.-Pin No: XX-02~04Pin
- ⑤ Special NO.: B-With a card slot
- ⑥ Plastic material: PT- PBT+GF15%(UL 94 V-0)
- ⑦ Color: NC-Natural color  
BK-Black BL-Blue OG-Orange

					<p>GENERAL TOLERANCE</p> <p>.X ±0.35</p> <p>.XX ±0.25</p> <p>.XXX±0.15</p> <p>X.' ±2'</p>				<p><b>SMS</b> 东莞市思索技术股份有限公司 Dongguan SESO Technology Co.,Ltd.</p>				<p>PART NO. 2039AF-XXB-PTXX</p>																										
					<p>PROJECT</p> <p>APPROVAL</p>				<p>CHECK</p>				<p>DRAWN</p>				<p>DATE</p>																						
20230915					A0					/					Initial release					Wangcheng					Larry Yang														
DATE					REV					ECN NO.					DESCRIPTION					MODIFY					APPROVAL														
1					2					3					4					5					6					7					8				
mm					1:1					1/1					A0					CD																			

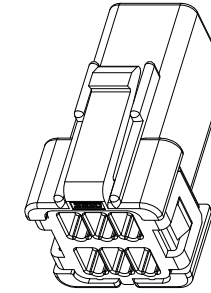
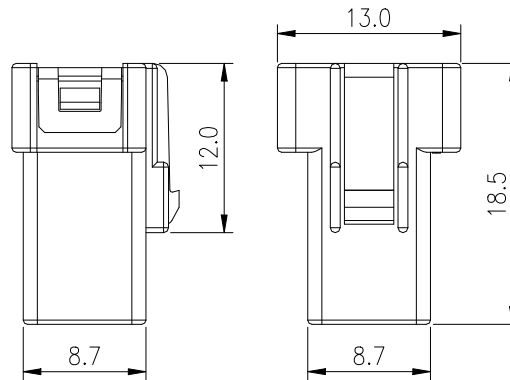
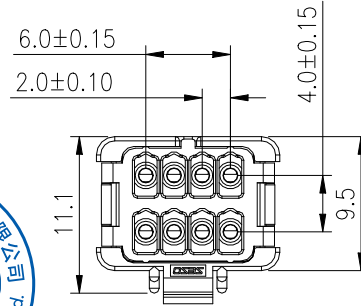
RoHS

This products can apply to the SESO Doc NO. QA-3-04-005 of Environmental&Material Management Rules

2039AM-2x03B-PTXX



2039AM-2x04B-PTXX



Specifications :

- Voltage rating: 100V Max. AC / DC
- Withstanding voltage: 1000V AC/minute
- Temperature range: -40°C~+105°C
- Insulation resistance: ≥100MΩ/500V DC/Minute
- Mates With SESO Housing: 2039AF-2xXXB
- Mates With SESO Terminal:2039TF-HXXX
- Product Specification: PS-2039-01
- Packaging: see SESO drawing PK-2039AM-2xXXB-PTXX
- Symbols for SPC dimensions: " ★ "
- Waterproof grade:IPX7

2039 A M-2xXX B -PT XX  
① ② ③ ④ ⑤ ⑥ ⑦

- ① Series No.
- ② Category: A-Housing Product
- ③ Connector Type:M-Male
- ④ Row No.-Pin No: 2\*03~2\*04Pin
- ⑤ Special NO.: B-With a card slot
- ⑥ Plastic material: PT- PBT+GF15%(UL 94 V-0)
- ⑦ Color: NC-Natural color  
BK-Black BL-Blue OG-Orange

GENERAL TOLERANCE

.X	±0.35
.XX	±0.25
.XXX	±0.15
X:	±2*
PROJECT	

**SMS** 东莞市思索技术股份有限公司  
Dongguan SESO Technology Co.,Ltd.

PART NO. 2039AM-2xXXB-PTXX				
TITLE 2.0Pitch Type Housing Waterproof				
UNIT	SCALE	SHEET	REV	NUMBER
mm	1:1	1/1	A0	CD

20230915	A0	/	Initial release	Wangcheng	Larry Yang
DATE	REV	ECN NO.	DESCRIPTION	MODIFY	APPROVAL

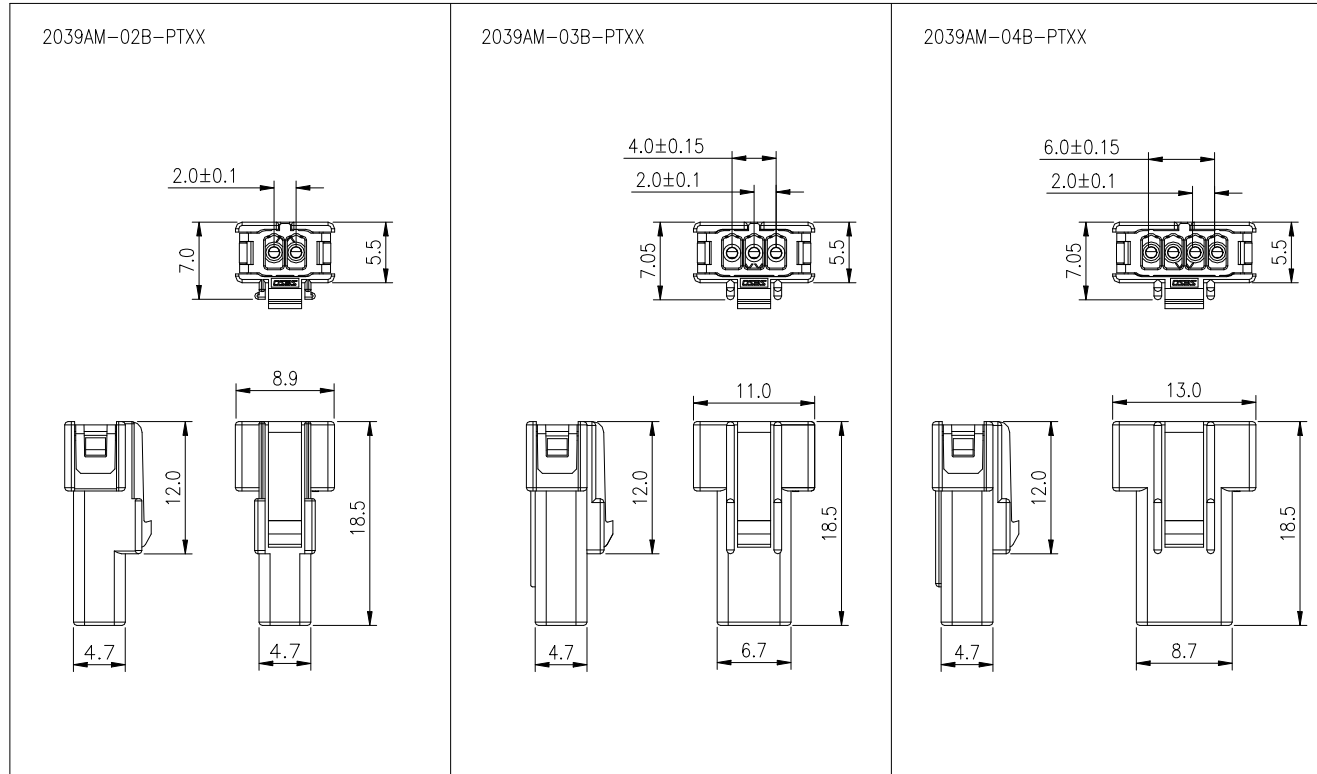
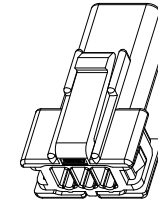
A

A

1 2 3 4 5 6 7 8

RoHS

This products can apply to the SESO Doc NO. QA-3-04-005 of Environmental&Material Management Rules



■ Specifications :

- Voltage rating: 100V Max. AC / DC
- Withstanding voltage: 1000V AC/minute
- Temperature range: -40°C~+105°C
- Insulation resistance: >100MΩ/500V DC/Minute
- Mates With SESO Housing: 2039AF-XXB
- Mates With SESO Terminal:2039TF-HXXX
- Product Specification: PS-2039-01
- Packaging: see SESO drawing PK-2039AM-XXB-PTXX
- Symbols for SPC dimensions:" ★ "
- Waterproof grade:IPX7

2039 A M-XX B -PT XX  
 ① ② ③ ④ ⑤ ⑥ ⑦

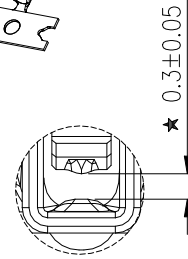
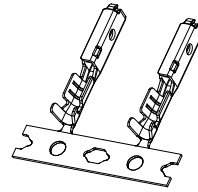
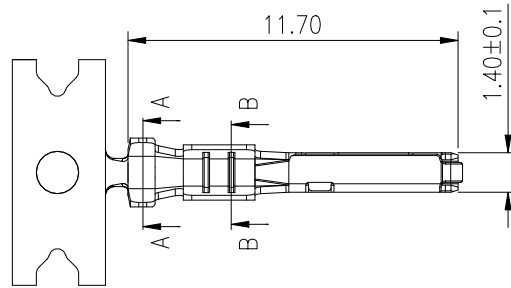
- ① Series No.
- ② Category: A-Housing Product
- ③ Connector Type:M-Male
- ④ Row No.-Pin No: XX-02~04Pin
- ⑤ Special NO.: B-With a card slot
- ⑥ Plastic material: PT- PBT+GF15%(UL 94 V-0)
- ⑦ Color: NC-Natural color  
 BK-Black BL-Blue OG-Orange

					GENERAL TOLERANCE				PART NO.			
					.X ±0.35				2039AM-XXB-PTXX			
					.XX ±0.25				TITLE			
					.XXX±0.15				2.0Pitch Type Housing Waterproof			
20230915 A0 / Initial release Wangcheng Larry Yang					X: ±2*				UNIT SCALE SHEET REV NUMBER			
DATE REV ECN NO. DESCRIPTION MODIFY APPROVAL					PROJECT				mm 1:1 1/1 A0 CD			
					APPROVAL CHECK DRAWN DATE							
					Jason Huang Larry Yang wangcheng 2023/09/15							

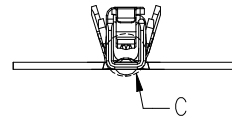
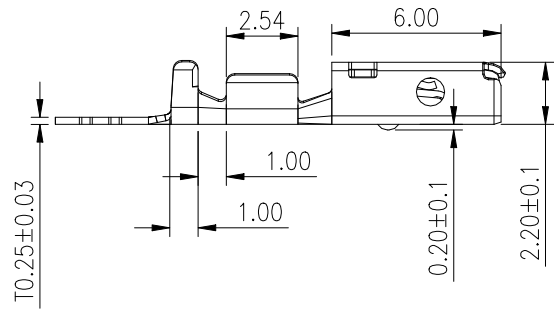
**SMS** 东莞市思索技术股份有限公司  
 Dongguan SESO Technology Co.,Ltd.

RoHS

This products can apply to the SESO Doc NO. QA-3-04-005 of Environmental&Material Management Rules



Enlargement of C

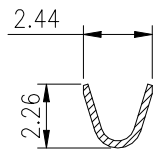


■ Specifications :

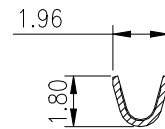
- Current rating: 3A Max.AC / DC(0.35mm<sup>2</sup> Wire)
- Temperature range: -40°C~+105°C
- Contact resistance: <10mΩ (Initial)
- <20mΩ (After Testing)
- Material(Pin): Copper alloy
- Mates With SESO Housing: 2039AM
- Mates With SESO Terminal:2039TM-PXXX
- Product Specification: PS-2039-01
- Packaging: see SESO drawing PK-2039TF-HXXX
- Symbols for SPC dimensions:" ★ "

2039 T F - H SW1  
① ② ③ ④ ⑤

- ① Series No.
- ② Category:T-terminal
- ③ Connector Type: F-Female terminal
- ④ Material: H-Copper alloy
- ⑤ Plating code: SW1-Underplate Ni 50~100u"(1.25~2.5um) ; Top Plating Sn 100~180u"(2.5~4.5um)



SECTION: A-A  
SCALE: 1:1



SECTION: B-B  
SCALE: 1:1

2039TF-HSW1	AWG#22 (0.35mm <sup>2</sup> )	Ø1.40mm Max
Part NO.	Wire Range	Insulation O.D.

DATE	REV	ECN NO.	DESCRIPTION	MODIFY	APPROVAL
20230915	A0	/	Initial release	Wangcheng	Larry Yang

GENERAL TOLERANCE
.X ±0.35
.XX ±0.25
.XXX±0.15
X: ±2*
PROJECT

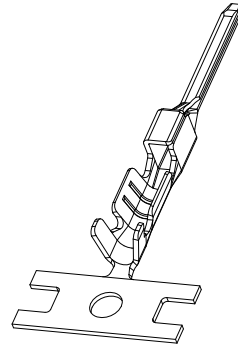
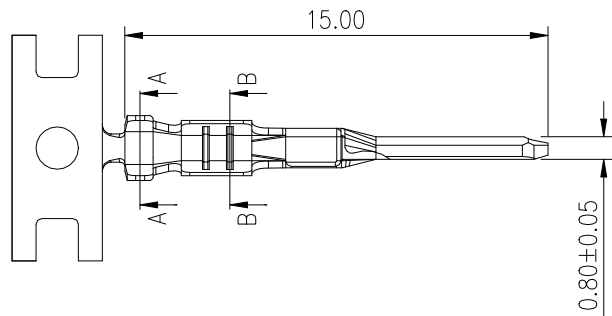
**SMS** 东莞市思索技术股份有限公司  
Dongguan SESO Technology Co.,Ltd.

APPROVAL	CHECK	DRAWN	DATE
Jack Zhang	Larry Yang	Wangcheng	2023/09/15

PART NO. 2039TF-HSW1				
TITLE 2.0mm Crimp Type Terminal				
UNIT	SCALE	SHEET	REV	NUMBER
mm	1:1	1/1	A0	CD

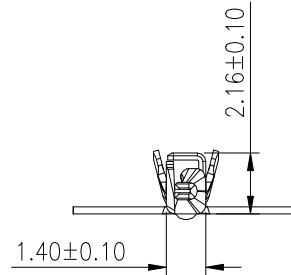
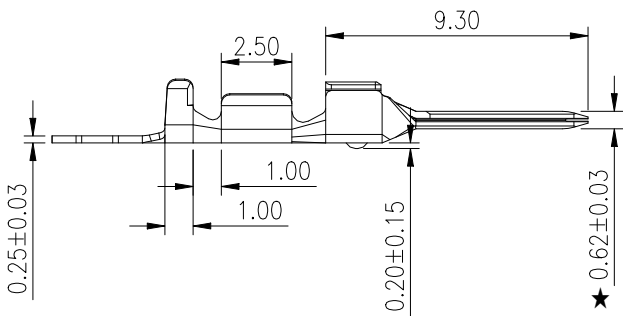
RoHS

This products can apply to the SESO Doc NO. QA-3-04-005 of Environmental&Material Management Rules



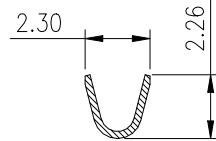
■ Specifications :

- Current rating: 3A Max.AC / DC(0.35mm<sup>2</sup> Wire)
- Temperature range: -40°C~+105°C
- Contact resistance: <math>\leq 10m\Omega</math> (Initial)
- <math>\leq 20m\Omega</math> (After Testing)
- Material(Pin): Phosphor copper
- Mates With SESO Housing: 2039AF
- Mates With SESO Terminal:2039TF-HXXX
- Product Specification: PS-2039-01
- Packaging: see SESO drawing PK-2039TM-PXXX
- Symbols for SPC dimensions: "★"

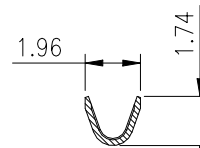


2039 T M - P SW1  
① ② ③ ④ ⑤

- ① Series No.
- ② Category:T-terminal
- ③ Connector Type: M-Male terminal
- ④ Material: P-Phosphor copper
- ⑤ Plating code: SW1-Underplate Ni 50~100u"(1.25~2.5um) ; Top Plating Sn 100~180u"(2.5~4.5um)



SECTION: A-A  
SCALE: 1:1



SECTION: B-B  
SCALE: 1:1

2039TM-PSW1	AWG#22 (0.35mm <sup>2</sup> )	ø1.40mm Max
Part NO.	Wire Range	Insulation O.D.

DATE	REV	ECN NO.	DESCRIPTION	MODIFY	APPROVAL	PROJECT
20230915	A0	/	Initial release	Wangcheng	Larry Yang	

GENERAL TOLERANCE
.X ±0.35
.XX ±0.25
.XXX±0.15
X: ±2*

**SMS** 东莞市思索技术股份有限公司  
Dongguan SESO Technology Co.,Ltd.

APPROVAL	CHECK	DRAWN	DATE
Jack Zhang	Larry Yang	Wangcheng	2023/09/15

PART NO. 2039TM-PSW1				
TITLE 2.0mm Crimp Type Terminal				
UNIT	SCALE	SHEET	REV	NUMBER
mm	1:1	1/1	A0	CD