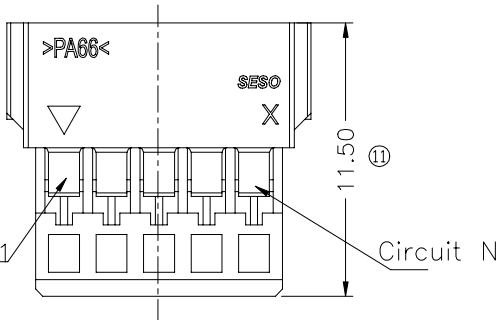
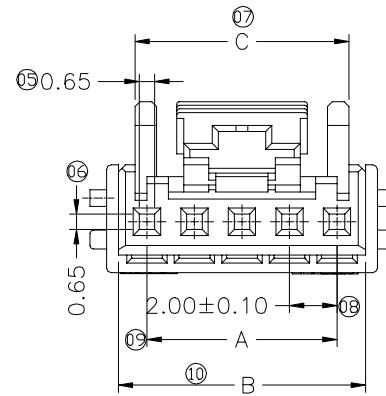
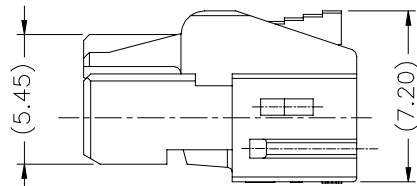
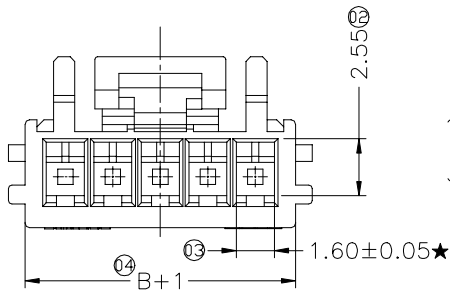
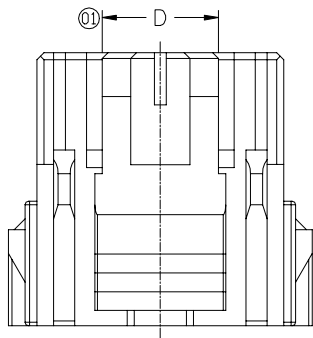


RoHS

This products can apply to the SESO Doc NO. QA-3-04-005 of Environmental&Material Management Rules



Specifications :

- Voltage rating: 250V AC / DC
- Current rating: 3A AC / DC
- Withstanding voltage: 800V AC/minute
- Temperature range: -40°C~+125°C
- Insulation resistance: ≥1000MΩ
- Contact resistance: ≤10mΩ
- After environmental testing: ≤20mΩ
- Symbols for SPC dimensions:★

2019 H X-1xXXA-NO X B R 01 Q
 ① ② ③ ④ ⑤ ⑥ ⑦ ⑧ ⑨ ⑩ ⑪

- ① Series No.:2019
- ② Category: H-HSG
- ③ Appearance: empty code - general
- ④ Row No.-Pin No.:1xXX-1x02P~1x05P
- ⑤ Special code: A- non-slip buckle structure
- ⑥ Material : NO-PA-66 94V-0
- ⑦ Color : N-Natural ;B-Black
- ⑧ Packing:B-Bag
- ⑨ R-RoHS
- ⑩ Special No.:01
- ⑪ Q-Vehicle products

Poles	Dimensions (mm)			
	A	B	C	D
02	2.00	4.40	3.20	2.10
03	4.00	6.40	5.00	3.90
04	6.00	8.40	6.60	4.90
05	8.00	10.40	9.00	4.90

2019H-1xXXA-N0NBR01Q	Nylon 66 94V-0	C2019	2019T	2000W
PART NO	Material	Suitable SESO Retainer	Suitable SESO Terminal	Suitable SESO Header

GENERAL TOLERANCE
.X ±0.30
.XX ±0.20
.XXX±0.10
X.' ±2'

SMS 东莞市思索技术股份有限公司
 Dongguan SESO Technology Co.,Ltd.

PART NO. 2019H-1xXXA-N0NBR01Q				
TITLE 2.00mm Connector Housing (Retainer mountable type)				
UNIT	SCALE	SHEET	REV	NUMBER
mm	1:1	1/2	A0	A-022

2023.09.25	A0		Initial release	Starry lin	Larry Yang	APPROVAL	CHECK	DRAWN	DATE	
DATE	REV	ECN NO.	DESCRIPTION	MODIFY	APPROVAL	PROJECT	Jack Zhang	Larry Yang	Starry lin	2023/09/25

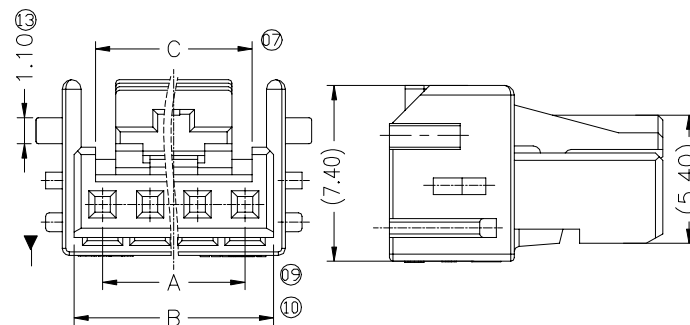
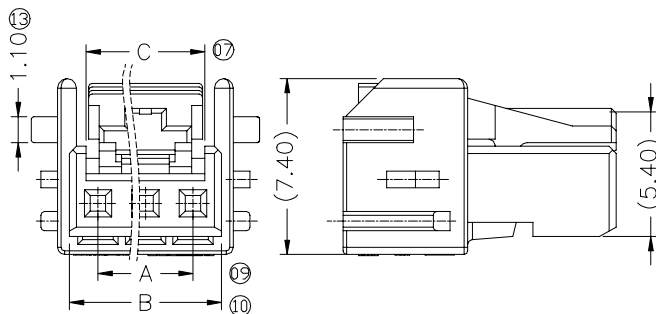
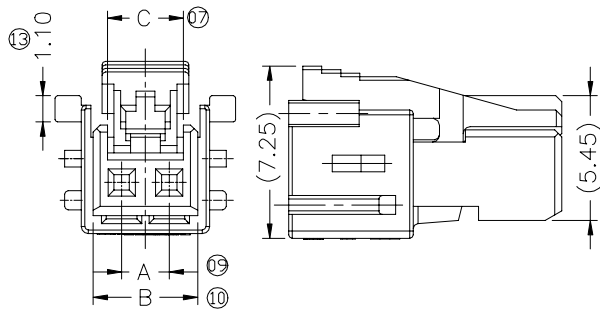
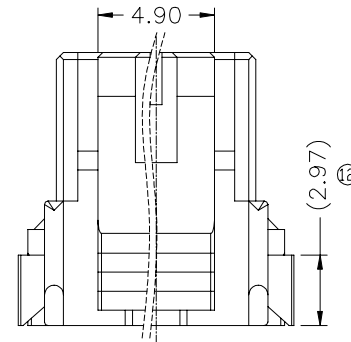
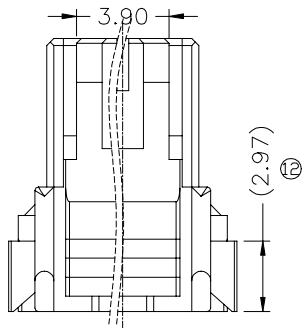
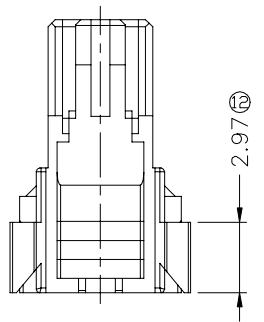
RoHS

This products can apply to the SESO Doc NO. QA-3-04-005 of Environmental&Material Management Rules

2 P

3 P

4 P



					<p>GENERAL TOLERANCE</p> <p>.X ±0.30</p> <p>.XX ±0.20</p> <p>.XXX±0.10</p> <p>X.' ±2'</p>				<p>PART NO.</p> <p>2019H-1xXXA-NONBR01Q</p>						
					<p>SMS 东莞市思索技术股份有限公司</p> <p>Dongguan SESO Technology Co.,Ltd.</p>				<p>TITLE</p> <p>2.00mm Connector Housing (Retainer mountable type)</p>						
2023.09.25	A0		Initial release	Starry lin	Larry Yang	APPROVAL	CHECK	DRAWN	DATE						
DATE	REV	ECN NO.	DESCRIPTION	MODIFY	APPROVAL	PROJECT	Jack Zhang	Larry Yang	Starry lin	2023/07/25	UNIT	SCALE	SHEET	REV	NUMBER
											mm	1:1	2/2	A0	A-022