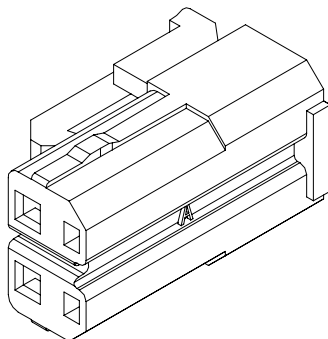
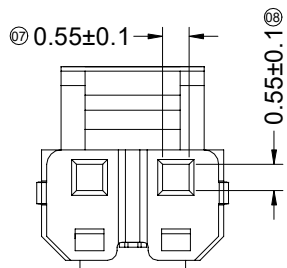
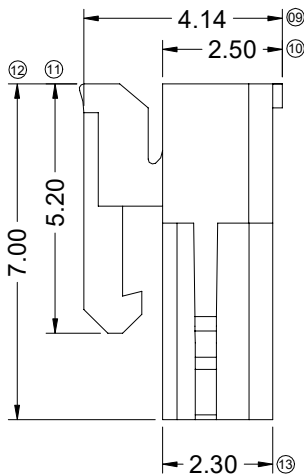
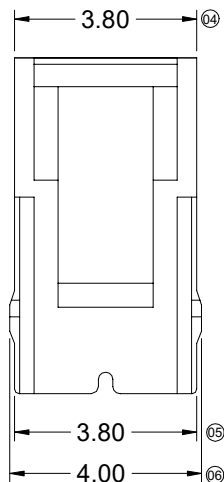
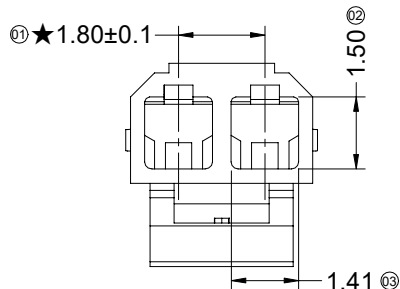


RoHS

This products can apply to the SESO Doc NO. QA-3-04-005 of Environmental&Material Management Rules



**Specifications :**

- Voltage rating: 350V AC / DC
- Current rating: 4A AC / DC (AWG#22)
- Withstanding voltage: 1700V AC/minute
- Temperature range: -40°C~+105°C
- Insulation resistance: ≥1000MΩ
- Contact resistance: ≤10mΩ
- After environmental testing: ≤20mΩ
- “★” represents special characteristics
- “☆” represents critical characteristics

1806 H F-1x02-N0 N B R 01 Q

① ② ③ ④ ⑤ ⑥ ⑦ ⑧ ⑨ ⑩

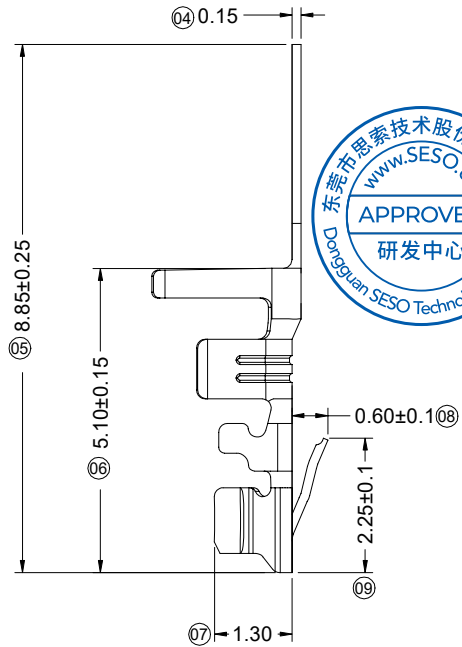
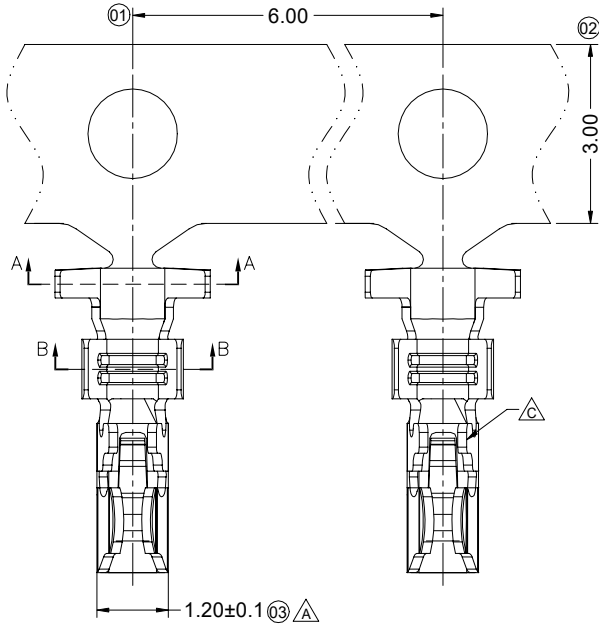
- ① NoSeries encoding: 1806
- ② Category: H-HSG
- ③ Product Form Coding: F-Female HSG
- ④ PIN Number.: 02 Pin;
- ⑤ material quality: N0-PA66
- ⑥ Color code: N-White natural color
- ⑦ Packaging code:B-in bags
- ⑧ Environmental Code:R-ROHS
- ⑨ Fluid code:01-99
- ⑩ Car and non-vehicle codes:Q

1806HF-1x02-N0NBR01Q	Nylon 66 UL 94V-0	1806T-P08SH-01Q	1806WRS-1x02-LPNB05BR001Q
PART NO	Material	Suitable SESO Terminal	Suitable SESO Wafer

A	2023/08/21	C	/	Update Drawing Frame	Zhou Jiasheng	Larry Yang	<b>东莞市思索技术股份有限公司</b> Dongguan SESO Technology Co.,Ltd.				PART NO.				
	2019/03/17	B	EN20200317004	Update Drawing Frame	Zeng	Robing					1806HF-1x02-N0NBR01Q				
	DATE	REV	ECN ON.	DESCRIPTION	MODIFY	APPROVAL	APPROVAL	CHECK	DRAWN	DATE	TITLE				
							Kim Huang	Kim Huang	Mike Chen	2019/04/26	1.80mm Pitch connector housing				
											UNIT	SCALE	SHEET	REV	NUMBER
											mm	1:1	1/1	C	A-022

RoHS

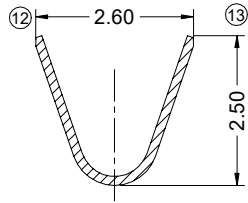
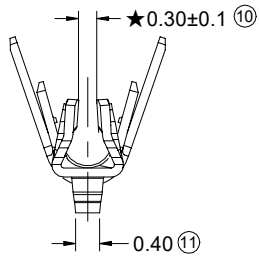
This products can apply to the SESO Doc NO. QA-3-04-005 of Environmental&Material Management Rules



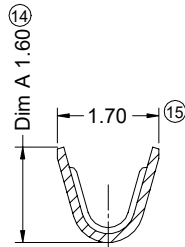
- Specifications :
- Voltage rating: 350V AC / DC
  - Current rating: 4A AC / DC (AWG#22)
  - Withstanding voltage: 1700V AC/minute
  - Temperature range: -40°C~+105°C
  - Insulation resistance: ≥1000MΩ
  - Contact resistance: ≤10mΩ
  - After envntal testing: ≤20mΩ
  - “★”represent special characterical dimension

1806 T - P 08 S H - 01 Q  
① ② ③ ④ ⑤ ⑥ ⑦ ⑧

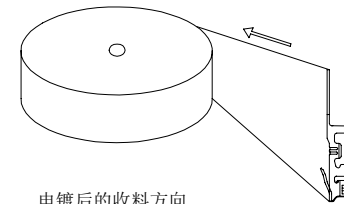
- ① Series Number: 1806
- ② Category: T - Terminal
- ③ Material: P - Phosphor bronzc
- ④ Plating style: 08 - Ni50u~100u", Sn100~180u"
- ⑤ High: H - Dim A =1.60mm (AWG 24~22/ 0.205~0.326mm<sup>2</sup>)
- ⑥ Electroplating way: S - Stamping Before Plating
- ⑦ Fluid code: 01-99
- ⑧ Non-vehicle codes: Q - Car



SECTION:A-A  
1:1



SECTION:B-B  
1:1

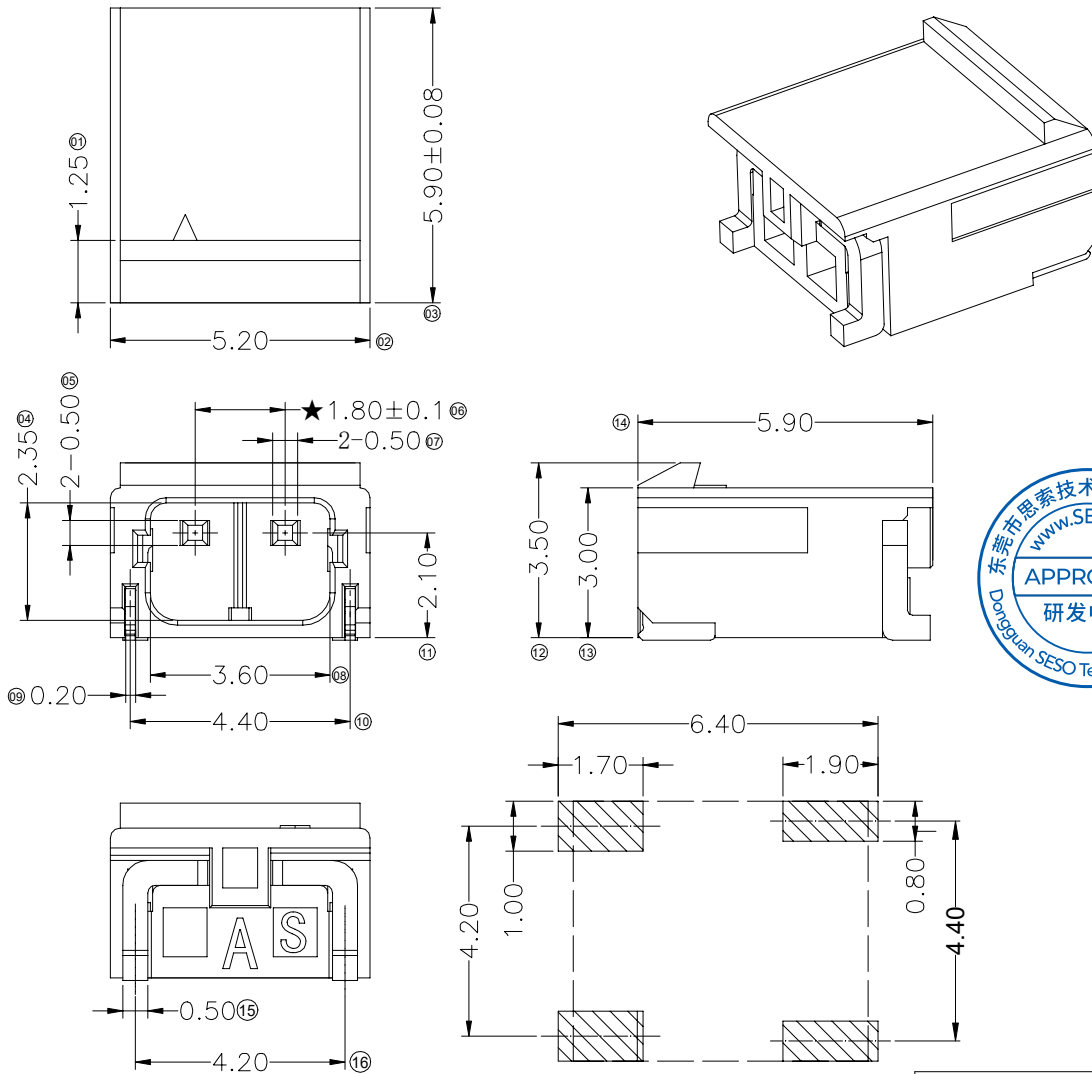


电镀后的收料方向  
(打线开口朝外)

2023/08/21	D1	/	Update Drawing Frame	Zhou Jiasheng	Larry Yang	<b>GENERAL TOLERANCE</b> .X ±0.35 .XX ±0.25 .XXX ±0.15 X.° ±2°	<b>SMS 东莞市思索技术股份有限公司</b> Dongguan SESO Technology Co.,Ltd.				PART NO. 1806T-P08SH-01Q				
2020/03/17	D	EN20200317004	Update Drawing Frame, The Same ECR And ECN NO.	ZW	Robing						APPROVAL				TITLE 1.80mm Crimp Style Connectors
2019/08/20	C	ER20190820003	改防呆, 修改结构	ZW	Robing		CHECK				DATE				
DATE	REV	ECN ON.	DESCRIPTION	MODIFY	APPROVAL		PROJECT	Kim Huang	Kim Huang	Zhang Jia Hong	2019/04/16	UNIT	SCALE	SHEET	REV
											mm	1:1	1/1	D1	A-200

RoHS

This products can apply to the SESO Doc NO. QA-3-04-005 of Environmental&Material Management Rules



Specifications :

- Voltage rating: 350V AC / DC
- Current rating: 4A AC / DC (AWG#22)
- Withstanding voltage: 1700V AC/minute
- Temperature range: -40°C~+105°C
- Insulation resistance: ≥1000MΩ
- Contact resistance: ≤10mΩ
- After environmental testing: ≤20mΩ
- “★”represents special characteristics
- “☆”represents critical characteristics

1806 W R S-1x02-LP N B 05 R R 001 Q

① ② ③ ④ ⑤ ⑥ ⑦ ⑧ ⑨ ⑩ ⑪ ⑫ ⑬

- ① Series No.1806
- ② Category: W-Wafer
- ③ Welding Board Angle: R-Right Angle 90°
- ④ Welding Way: S-SMT
- ⑤ Row No.-Pin No: 1x02Pin
- ⑥ Plastic material: LP -LCP 94V-0
- ⑦ Color code : N -natural colour
- ⑧ Hardware: B-Brass
- ⑨ Electroplating code:05-Matte Tin
- ⑩ Packaging code:R;
- ⑪ Environmental Code:R-R0HS;
- ⑫ Fluid code: 001-100;
- ⑬ Car code:Q.



Recommended P.C.B Layout  
General Tolerance±0.05

1806WRS-1x02-LPNB05RR001Q	LCP UL 94V-0	Brass	Stamping Before Plating:50u" Ni;100u"Sn	1806HF-1x02-N0NBR01Q
PART NO	Material	Material (Pin&Solder tab)	Finish(Pin)	Mates With SESO Housing

A	2023/8/21	C	/	Update Drawing Frame	Zhou Jiasheng	Larry Yang	<b>东莞市思索技术股份有限公司</b> Dongguan SESO Technology Co.,Ltd.	PART NO. 1806WRS-1x02-LPNB05RR001Q								
	2019/3/17	B	EN20200317001	Update Drawing Frame	Zeng	Robing		APPROVAL	CHECK	DRAWN	DATE	TITLE 1.80mm Pitch connector Wafer				
	DATE	REV	ECN ON.	DESCRIPTION	MODIFY	APPROVAL	PROJECT	Kim Huang	Kim Huang	Mike Chen	2019/06/14	UNIT mm	SCALE 1:1	SHEET 1/1	REV C	NUMBER A-000